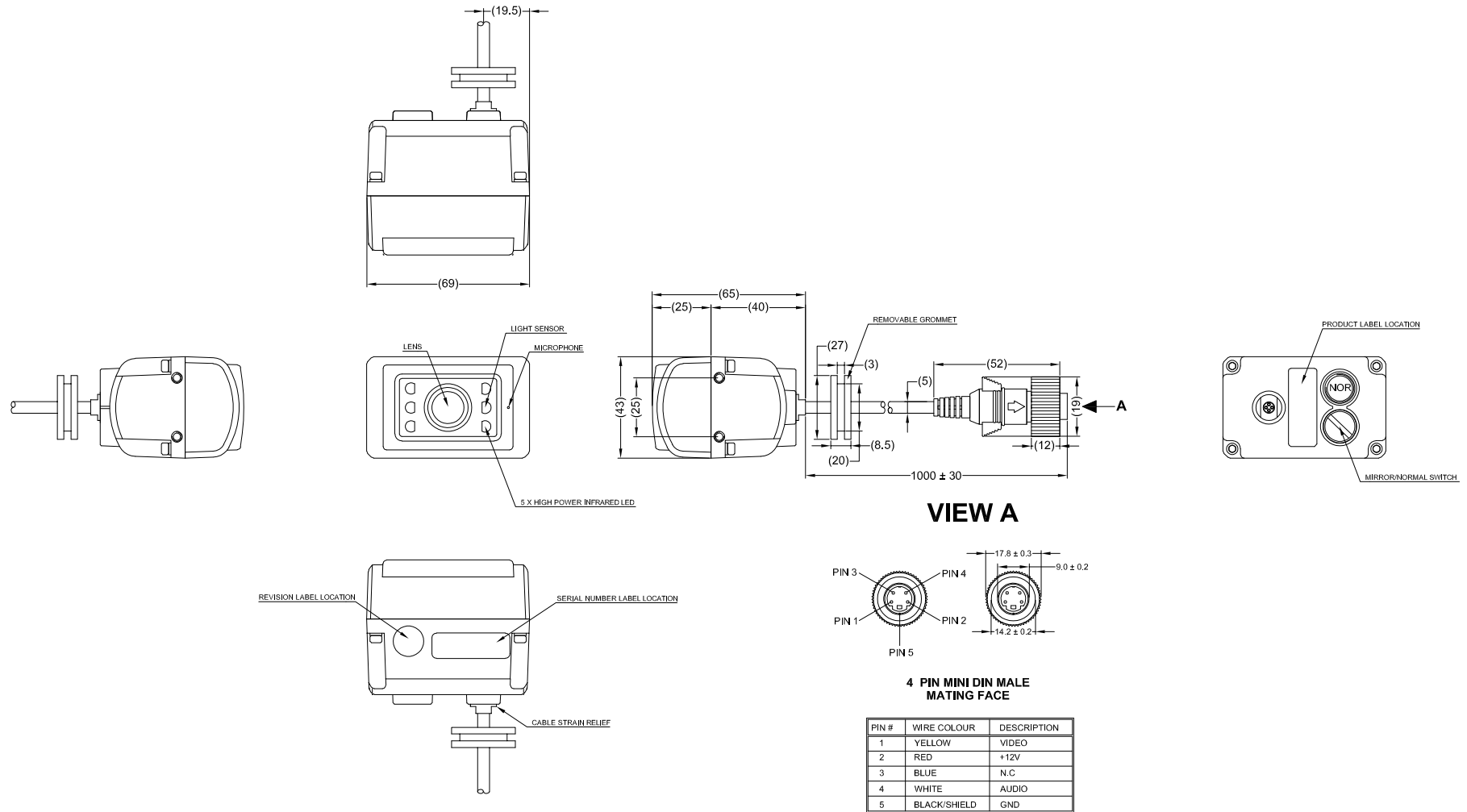


CHANGES FROM BASE PRODUCT BE-850C-C(4937A) TO BE-850C-C(78)(NPL) (5650)

- CHANGE: 1. BE-850C-PD LBL REPLACED WITH BE-850C-C(78)(NPL) PD LBL.
 2. BE-850C-C (3346C) LENS REPLACED WITH BE-801C-C(78) (3503A) LENS.
 3. BRIGADE SILKSCREEN REMOVED.
- OPERATION: 1. SAME AS BASE PRODUCT

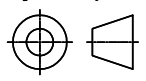
Revision Notes.				
R1 -				
APA: -	Drawn:-	Checked:-	Approved:-	Date: -



- NOTES:
- REFER TO "PRODUCT SPECIFICATION" FOR MORE DETAILS.
 - REFER TO COMPONENT DRAWINGS FOR COMPONENT DETAILS.
 - ENSURE SELF AMALGAMATING TAPE IS USED DURING INSTALLATION.
 - ANY CUSTOMER MODIFICATION OF THIS PRODUCT CAUSING SUBSEQUENT FAILURE IS NOT A LIABILITY OF BRIGADE ELECTRONICS PLC.
 - FOR PRODUCT LABEL AND PACKAGING DETAILS REFER TO MASTER BOM.

PROPRIETARY NOTICE

THIS DESIGN AND TECHNICAL INFORMATION APPEARING ON THIS DRAWING IS THE PROPERTY OF BRIGADE ELECTRONICS, AND IS DISCLOSED IN CONFIDENCE. IT IS NOT TO BE COPIED, REPRODUCED, REVEALED TO OR EXPROPRIATED BY OTHERS, EITHER IN WHOLE OR IN PART WITHOUT THE EXPRESS WRITTEN CONSENT OF BRIGADE ELECTRONICS.

Assembly Pl Approval T.CHOI 08/04/19		Approved by B.CHILDS	Checked by J.TYRRELL	Drawn by W.SINDEN
Customer Approval J.BARCK 26/04/19		Units mm	Scale N/A	Released 26/04/19
Angle of Projection 		Status DRAFT	Assembly Ref -	
Third Angle		Part No 5767	BE-850C-C(78)(NPL)	
			BE-004024-00-19	

BRIGADE[®]
www.brigade-electronics.com